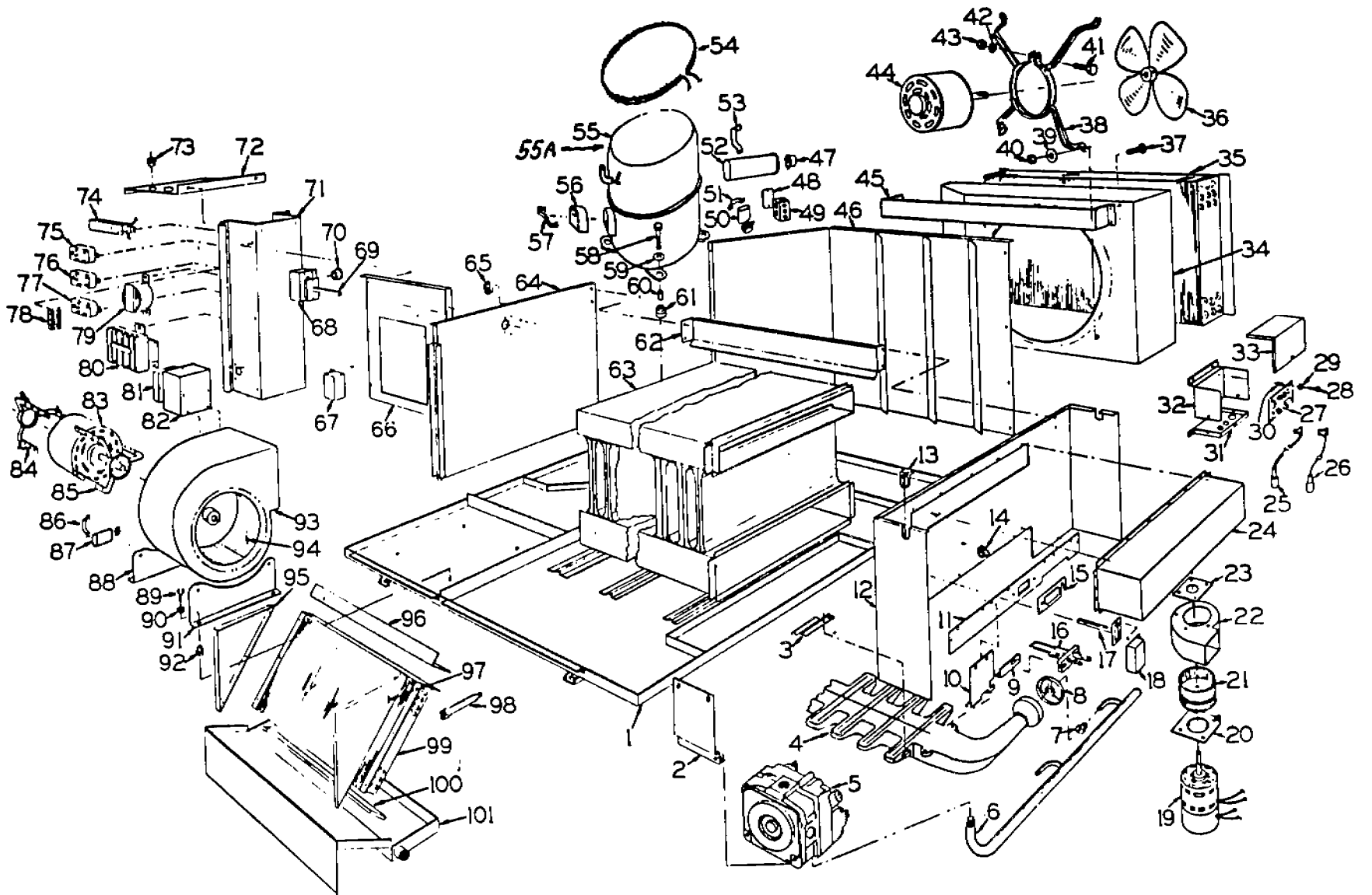


TG24-1C, TG30-1C, TG36-1C, TG48-1B, TG48-3B, TG60-1D,
 TG60-3D
 ROOFTOP MODEL



REPAIR PARTS

COMBINATION HEATING AND COOLING UNIT

| KEY NO. | PART NUMBERS FOR MODELS | | | | | DESCRIPTION |
|---------|---|-----------|-----------|----------------|----------------|----------------------------------|
| | TG24-1C | TG30-1C | TG36-1C | TG48-1B/ 3B | TG60-1D/ 3D | |
| 1 | 5000-6002 | 5000-6002 | 5000-6001 | 5000-6006 | 5000-6006 | Base |
| 2 | 5704-6022 | 5704-6022 | 5704-6022 | 5704-6022 | 5704-6022 | Bracket, Control |
| 3 | 7000-6002 | 7000-6002 | 7000-6002 | 7000-6002 | 7000-6002 | Carryover Hood |
| 4 | NEED MODEL*, SERIAL*, ELECTRIC IGNITION OR STANDING PILOT | | | | | Burner |
| 5 | 5651-6013 | 5651-6013 | 5651-6013 | 5651-6013 | 5651-6013 | Gas Control (Natural) |
| 5 | 5651-6012 | 5651-6012 | 5651-6012 | 5651-6012 | 5651-6012 | Gas Control (LP) |
| 6 | 5818-6001 | 5818-6001 | 5818-6001 | 5818-6000 | 5818-6000 | Manifold - Pipe |
| 7 | 6094-6002 | 6094-6002 | 6094-6002 | 6094-6002 | 6094-6002 | Orifice Spud (Natural) |
| 7 | 6094-6011 | 6094-6011 | 6094-6011 | 6094-6011 | 6094-6011 | Orifice Spud (LP) |
| 8 | 7005-6000 | 7005-6000 | 7005-6000 | 7005-6000 | 7005-6000 | Air Shutter |
| 9 | 5704-6023 | 5704-6023 | 5704-6023 | 5704-6023 | 5704-6023 | Bracket Ignitor |
| 10 | 5704-6007 | 5704-6007 | 5704-6007 | 5704-6007 | 5704-6007 | Bracket Burner |
| 11 | 7003-6108 | 7003-6108 | 7003-6108 | 7003-6102 | 7003-6102 | Shield - Burner |
| 12 | 7041-6028 | 7041-6028 | 7041-6028 | - - - - - | - - - - - | Chamber Mounting Panel |
| 13 | 5502-2 | 5502-2 | 5502-2 | 5502-2 | 5502-2 | Grommet, (Two Required) |
| 14 | 7955-12 | 7955-12 | 7955-12 | 7955-12 | 7955-12 | Clamp |
| 15 | 5380-6000 | 5380-6000 | 5380-6000 | 5380-6000 | 5380-6000 | Sight Glass |
| 16 | 7601-6002 | 7601-6002 | 7601-6002 | 7601-6002 | 7601-6002 | Ignitor/ELECTRODE |
| 17 | 8405-6010 | 8405-6010 | 8405-6010 | 8405-6010 | 8405-6010 | Limit Control |
| 18 | 8611-6002 | 8611-6002 | 8611-6002 | 8611-6002 | 8611-6002 | Cover Limit Control |
| 19 | 8101-6058 | 8101-6058 | 8101-6058 | 8101-6058 | 8101-6058 | Motor Vent Blower |
| 20 | 7003-6086 | 7003-6086 | 7003-6086 | 7003-6086 | 7003-6086 | Venturi Vent Bottom |
| 21 | 5152-6012 | 5152-6012 | 5152-6012 | 5152-6012 | 5152-6012 | Wheel - Blower |
| 22 | 5150-6000 | 5150-6000 | 5150-6000 | 5150-6000 | 5150-6000 | Blower Housing Vent |
| 23 | 7003-6083 | 7003-6083 | 7003-6082 | 7003-6085 | 7003-6085 | Blower Venturi Top |
| 24 | 9030-6006 | 9030-6006 | 9030-6006 | 9030-6003 | 9030-6003 | Collector Box |
| 25 | 8503-6049 | 8503-6049 | 8503-6049 | 8503-6049 | 8503-6049 | Ignition Lead |
| 26 | 8503-6050 | 8503-6050 | 8503-6050 | 8503-6050 | 8503-6050 | Ground Lead |
| 27 | 7601-6041 | 7601-6041 | 7601-6041 | 7601-6041 | 7601-6041 | Electrode Ignitor/FENWAL |
| 28 | 1031-11 | 1031-11 | 1031-11 | 1031-11 | 1031-11 | Screw, (Five Required) |
| 29 | 1201-30 | 1201-30 | 1201-30 | 1201-30 | 1201-30 | Washer, (Five Required) |
| 30 | 8611-6008 | 8611-6008 | 8611-6008 | 8611-6008 | 8611-6008 | Sleeve, (Five Required) |
| 31 | 7003-6105 | 7003-6105 | 7003-6105 | 7003-6105 | 7003-6105 | Bottom Panel |
| 32 | 7003-6106 | 7003-6106 | 7003-6106 | 7003-6106 | 7003-6106 | Base Panel |
| 33 | 7003-6107 | 7003-6107 | 7003-6107 | 7003-6107 | 7003-6107 | Cover Panel |
| 34 | 7031-6008 | 7031-6008 | 7030-6004 | 7030-6003 | 7030-6002 | Shroud & Cover |
| 35 | 5051-200 | 5051-200 | 5051-217 | 5051-202 | 5051-203 | Condenser |
| 36 | 5151-6001 | 5151-6001 | 5151-6000 | 5151-6000 | 5151-6000 | Condenser Fan Blade |
| 37 | 1061-42 | 1061-42 | 1061-42 | 1061-42 | 1061-42 | Carriage Bolt, (Four Required) |
| 38 | 7000-534 | 7000-534 | 7000-534 | 7000-544 | 7000-544 | Motor Mount |
| 39 | 100075 | 100075 | 100075 | 100075 | 100075 | Flat Washer, (Four Required) |
| 40 | 1121-9 | 1121-9 | 1121-9 | 1121-9 | 1121-9 | Lock Nut, (Four Required) |
| 41 | 1001-2 | 1001-2 | 1001-2 | 1001-2 | 1001-2 | Bolt 5/16 x 18 x 1-5/8 |
| 42 | 100055 | 100055 | 100055 | 100055 | 100055 | Lock Washer |
| 43 | 1101-11 | 1101-11 | 1101-11 | 1101-11 | 1101-11 | Hex Nut |
| 44 | 8101-274 | 8101-274 | 8101-285 | 8101-6016 | 8101-6016 | Condenser Motor |
| 45 | - - - - - | - - - - - | 7011-6012 | 7011-6008 | 7011-6008 | Baffle - Shroud |
| 46 | 7011-6016 | 7011-6016 | 7011-6013 | 7011-6000 | 7011-6000 | Division Panel |
| 47 | 5451-136 | 5451-136 | 5451-136 | 5451-136 | 5451-136 | Capacitor Boot, (Three Required) |
| 48 | 8611-6006 | 8611-6006 | 8611-6006 | - - - - - | - - - - - | Cover Junction Box |
| 49 | 8611-6005 | 8611-6005 | 8611-6005 | - - - - - | - - - - - | Junction Box |
| 50 | 8552-3 | 8552-3 | 8552-3 | 8552-3 | 8552-3 | Capacitor, Fan Motor |
| 51 | 5701-447 | 5701-447 | 5701-447 | 5701-447 | 5701-447 | Strap Capacitor |
| * 52 | 8552-27 | 8552-27 | 8552-29 | 8552-16 | 8552-20 | Capacitor, Run |
| 53 | 7071-3 | 7071-3 | 7071-3 | 7071-2 | 7071-2 | Capacitor Strap, (Two Required) |
| 54 | - - - - - | - - - - - | 8604-37 | 8604-37 | 8604-37 | Crankcase Heater |
| 55 | 8000-277 | 8000-359 | 8000-318 | 8000-311 | 8000-297 | Compressor - 1Ph. |
| 56 | 7081-48 | 7081-48 | 7081-48 | - - - - - | - - - - - | Compressor Terminal Cover |
| 55A | - - - - - | - - - - - | 8000-329 | 8000-312 | 8000-299 | Compressor 3 Ph. |

REPAIR PARTS

COMBINATION HEATING AND COOLING UNIT

| KEY NO. | PART NUMBERS FOR MODELS | | | | | DESCRIPTION |
|---------|-------------------------|-----------|-----------|----------------|----------------|--------------------------------------|
| | TG24-1C | TG30-1C | TG36-1C | TG48-1B/ 3B | TG60-1D/ 3D | |
| 57 | 7951-159 | 7951-159 | 7951-159 | - - - - - | - - - - - | Spring Clip Compressor |
| 58 | 1001-1 | 1001-1 | 1001-1 | 1001-15 | 1001-15 | Screw 5/16 x 18 x 1, (Four Required) |
| 59 | 100075 | 100075 | 100075 | 100075 | 100075 | Flat Washer, (Four Required) |
| 60 | 5802-28 | 5802-28 | 5802-28 | 5802-25 | 5802-25 | Spacer, (Four Required) |
| 61 | 5502-38 | 5502-38 | 5502-38 | 5502-31 | 5502-31 | Grommet, (Four Required) |
| 62 | 7011-6015 | 7011-6015 | 7011-6014 | 7010-6000 | 7010-6000 | Baffle |
| 63 | 7090-6002 | 7090-6002 | 7090-6001 | 7090-6000 | 7090-6000 | Combustion Chamber/HEAT EXCHANGER |
| 64 | 7000-6011 | 7000-6011 | 7000-6011 | 7000-6001 | 7000-6001 | Shield |
| 65 | 7955-11 | 7955-11 | 7955-11 | 7955-11 | 7955-11 | Clamp |
| 66 | 7040-6009 | 7040-6009 | 7040-6005 | 7040-6012 | 7040-6012 | Blower Header |
| 67 | 8611-6011 | 8611-6011 | 8611-6011 | 8611-6011 | 8611-6011 | Cover, Terminal Lead |
| 68 | 8611-6002 | 8611-6002 | 8611-6002 | 8611-6002 | 8611-6002 | Cover, Safety Switch |
| 69 | 8405-6017 | 8405-6017 | 8405-6017 | 8405-6017 | 8405-6017 | Switch, Blower Safety |
| 70 | 6081-6000 | 6081-6000 | 6081-6000 | 6081-6000 | 6081-6000 | Snap Bushing |
| 71 | 5361-6001 | 5361-6001 | 5361-6001 | 5361-6000 | 5361-6000 | Control Box |
| 72 | 5363-6003 | 5363-6003 | 5363-6003 | 5363-6000 | 5363-6000 | Divider - Control Box |
| 73 | 6081-41 | 6081-41 | 6081-44 | - - - - - | - - - - - | Terminal Bushing Junction |
| 74 | 8612-6000 | 8612-6000 | 8612-6000 | 8612-6004 | 8612-6004 | Switch - Blower Timer |
| 75 | 8201-6001 | 8201-6001 | 8201-6001 | 8201-6001 | 8201-6001 | Re'v (Single Pole, Double Throw) |
| 76 | 8201-142 | 8201-142 | 8201-142 | 8201-142 | 8201-142 | Relay, Heating |
| 77 | 8201-142 | 8201-142 | 8201-142 | 8201-142 | 8201-142 | Relay, Heating |
| 78 | 8607-6000 | 8607-6000 | 8607-6000 | 8607-6000 | 8607-6000 | Terminal Block |
| 79 | 8406-14 | 8406-14 | 8406-14 | 8406-14 | 8406-14 | Transformer |
| 80 | 8401-243 | 8401-243 | 8401-244 | 8401-245 | 8401-245 | Contact |
| 81 | - - - - - | 8611-6009 | 8611-6009 | - - - - - | - - - - - | Fuse Block |
| 82 | - - - - - | 5360-6000 | 5360-6000 | - - - - - | - - - - - | Fuse Box |
| 83 | 8101-280 | 8101-194 | 8101-194 | 8101-190 | 8101-190 | Blower Motor |
| 84 | 7000-726 | 7000-726 | 7000-726 | 5153-6004 | 5153-6004 | Motor Mount |
| 85 | - - - - - | - - - - - | - - - - - | 5153-6006 | 5153-6006 | Motor Mount |
| 85A | 5502-38 | 5502-38 | 5502-38 | - - - - - | - - - - - | Grommet, (Three Required) |
| 85B | 5802-28 | 5802-28 | 5802-28 | - - - - - | - - - - - | Sleeve, (Three Required) |
| 85C | 1201-38 | 1201-38 | 1201-38 | - - - - - | - - - - - | Flat Washer, (Three Required) |
| 85D | 1032-83 | 1032-83 | 1032-83 | - - - - - | - - - - - | Screw, (Three Required) |
| 85E | 1001-2 | 1001-2 | 1001-2 | - - - - - | - - - - - | Bolt |
| 85F | 1101-11 | 1101-11 | 1101-11 | - - - - - | - - - - - | Nut |
| 85G | 100055 | 100055 | 100055 | - - - - - | - - - - - | Lock Washer |
| 86 | 5701-447 | 5701-447 | 5701-447 | 7071-5 | 7071-5 | Capacitor Strap |
| 87 | 8552-14 | 8552-36 | 8552-36 | 8552-56 | 8552-56 | Capacitor Blower |
| 88 | 5153-6007 | 7001-924 | 7001-924 | 5153-6010 | 5153-6010 | Housing Support Blower |
| 89 | 1001-6 | 1001-6 | 1001-6 | 1001-6 | 1001-6 | Screw, (Four Required) |
| 90 | 1201-39 | 1201-39 | 1201-39 | 1201-39 | 1201-39 | Flat Washer, (Four Required) |
| 91 | 5153-6008 | 7001-925 | 7001-925 | 5153-6009 | 5153-6009 | Housing Support Blower |
| 92 | 5502-44 | 5502-44 | 5502-44 | 5502-44 | 5502-44 | Grommet, (Four Required) |
| 93 | 5150-6021 | 5150-6019 | 5150-142 | 5153-6011 | 5153-6011 | Blower Housing |
| 94 | 5152-58 | 5152-58 | 5152-44 | 5152-72 | 5152-72 | Blower Wheel |
| 95 | 5704-6016 | 5704-6016 | 5704-6016 | 5704-6001 | 5704-6001 | Bracket, Evaporator |
| 96 | 7003-6073 | 7003-6072 | 7003-6066 | - - - - - | - - - - - | Panel Closure |
| 97 | 5704-6017 | 5704-6017 | 5704-6017 | 5704-6002 | 5704-6002 | Bracket Evaporator |
| 98 | 5210-27 | 5210-27 | 5210-22 | 5210-36 | 5210-36 | Strainer |
| 99 | 7101-6001 | 7101-6002 | 7101-240 | 7101-181 | 7101-181 | Evaporator |
| 100 | 5452-6000 | 5452-6000 | 5452-6000 | 5451-6000 | 5451-6000 | Seal - Polyurethane (24 In.) |
| 101 | 5040-6002 | 5040-6002 | 5040-6001 | 5040-6000 | 5040-6000 | Drain Pan |
| 102 | 7003-274 | 7003-274 | 7003-274 | 7003-274 | 7003-274 | Door Reset |
| 103 | 1032-35 | 1032-35 | 1032-35 | 1032-35 | 1032-35 | Screw # 10 x 1/2 |
| 104 | 5502-10 | 550-210 | 5502-10 | 5502-10 | 5502-10 | Grommet |
| 105 | 7003-6024 | 7003-6024 | 7003-6024 | 7003-6024 | 7003-6024 | Cover Gas Entry |
| 106 | 7040-6007 | 7040-6007 | 7040-6007 | 7040-6002 | 7040-6002 | Door Bottom |
| 107 | 7040-6040 | 7040-6040 | 7040-6040 | 7040-6045 | 7040-6045 | Front Panel - Right |
| 108 | 7000-6060 | 7000-6060 | 7000-6061 | 7000-6062 | 7000-6062 | Duct Flange |

REPAIR PARTS

COMBINATION HEATING AND COOLING UNIT

| KEY NO. | PART NUMBERS FOR MODELS | | | | | DESCRIPTION |
|---------|-------------------------|-----------|-----------|----------------|----------------|-------------------------------|
| | TG24-1C | TG30-1C | TG36-1C | TG48-1B/ 3B | TG60-1D/ 3D | |
| 109 | 5363-6002 | 5363-6002 | 5363-6002 | 5363-6002 | 5363-6002 | Control Box Plate Bottom |
| 110 | 7040-6042 | 7040-6042 | 7040-6044 | 7040-6046 | 7040-6046 | Front Panel Left |
| 111 | 7040-6043 | 7040-6043 | 7040-6043 | 7040-6047 | 7040-6047 | Blower Service Door |
| 112 | 5363-6004 | 5363-6004 | 5363-6004 | 5363-6001 | 5363-6001 | Control Box Cover |
| 113 | 7041-6013 | 7041-6013 | 7041-6007 | 7041-6002 | 7041-6002 | Compressor Door |
| 114 | 1032-85 | 1032-85 | 1032-85 | 1032-85 | 1032-85 | Screw 10-32, (Four Required) |
| 115 | 7081-6004 | 7081-6004 | 7081-6002 | 7081-6001 | 7081-6001 | Cover - Front |
| 116 | 7081-6005 | 7081-6005 | 7081-6003 | 7081-6000 | 7081-6000 | Cover - Rear |
| 117 | 7061-6016 | 7061-6016 | 7061-6011 | 7061-6002 | 7061-6002 | Rear Panel - Left |
| 118 | 1143-73 | 1143-73 | 1143-73 | 1143-73 | 1141-73 | Tinnerman Nut, (Six Required) |
| 119 | 7040-6006 | 7040-6006 | 7040-6006 | 7040-6001 | 7040-6001 | Door Top |
| 120 | 7040-6010 | 7040-6010 | 7061-6012 | 7040-6004 | 7040-6004 | Rear Panel Right |
| 121 | 9030-6001 | 9030-6001 | 9030-6001 | 9030-6001 | 9030-6001 | Vent |

PARTS NOT ILLUSTRATED

| | | | | | | |
|--|-----------|-----------|-----------|-----------|-----------|-------------------------------|
| | 5810-15 | 5810-34 | 5810-18 | 8611-6000 | 8611-6000 | Cover Hi Pressure Switch |
| | 7952-6045 | 7952-6028 | 7952-6028 | 5810-62 | 5810-5 | Capillary Tubes |
| | 7953-1229 | 7953-1229 | 7953-1229 | 7952-6021 | 7952-6021 | Wiring Diagram Sticker |
| | | | | 7953-1229 | 7953-1229 | Instructions |
| | | | | 5704-6008 | 5704-6008 | Bracket Hi Pressure Switch |
| | | | | 8404-25 | 8404-25 | Hi Pressure Control |
| | | | | 8551-53 | 8551-53 | Start Capacitor |
| | | | | 7071-13 | 7071-13 | Start Capacitor Bracket |
| | | | | 8201-127 | 8201-127 | Accelerating Relay |
| | | | 5452-6022 | 5452-6001 | 5452-6001 | Polyurethane (Evaporator Pad) |
| | | | 7051-6027 | 7051-6004 | 7051-6004 | Frame Polyurethane Retainer |
| | 8403-74 | 8403-74 | 8403-74 | 8403-74 | 8403-74 | Thermostat |
| | 8403-73 | 8403-73 | 8403-73 | 8403-73 | 8403-73 | Subbase |

| | | | | | | |
|-----|---------|-------|------|---------|-------|------|
| *52 | 8552-27 | 45MFD | 370V | 8552-16 | 45MFD | 440V |
| | 8552-29 | 35MFD | 440V | 8552-20 | 55MFD | 440V |