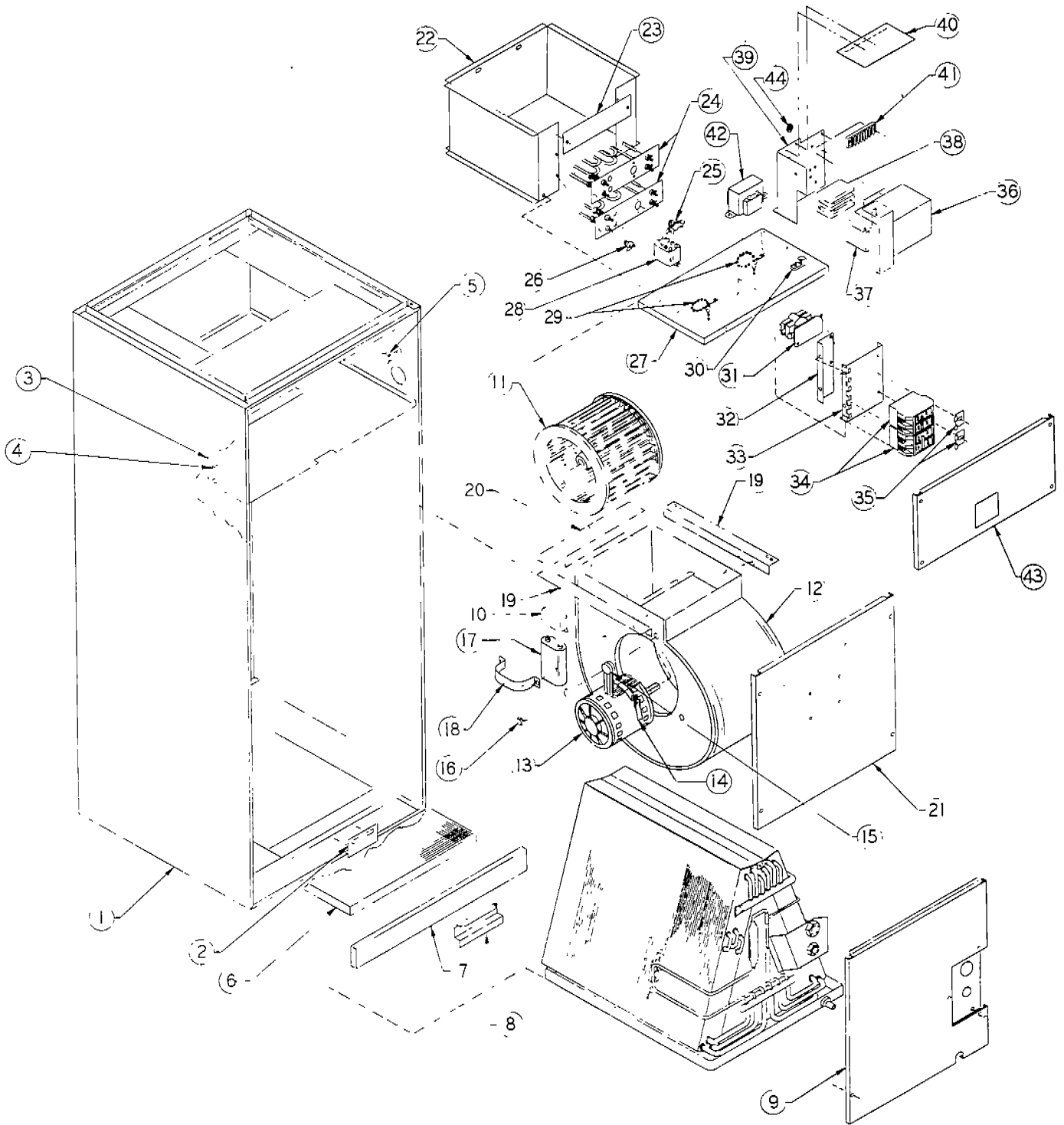


INDOOR AIR HANDLER/ELECTRIC FURNACE



HEATER SECTION

KEY NO.	DESCRIPTION	BFE400D	BFE405	BFE410	BFE415	BFE420
22	DUCT HEATER	7003-1047	7003-1047	7003-1047	7003-1047	7003-1047
23	PLATE - FILTER	7003-1048(4)	7003-1048(3)	7003-1048(3)	7003-1048(2)	7003-1048(2)
24	HEATER - 5KW		8604-128		8604-128	
24	HEATER - 10KW		-	8604-138	8604-138	8604-138(2)
25	LIMIT CONTROL - SPDT		8403-169	-	8403-169	-
25	LIMIT CONTROL - SPDT		-	8403-170	8403-170	8403-170(2)
26	FUSE - THERMAL		8611-545	8611-545(2)	8611-545(3)	8611-545(4)
27	DECK - CONTROL	5361-432	5361-432	5361-432	5361-432	5361-432
28	RELAY - FAN	8201-183	8201-183	8201-183	8201-183	8201-183
29	CLAMP - WIRE (2)		8611-432	8611-432	8611-432	8611-432
30	LUG - GROUND		8609-43	8609-43	8609-43	8609-43
31	SEQUENCER (RELAY)		8201-179	8201-175	8201-175(2)	8201-175
31	SEQUENCER (RELAY)		-	-	-	8201-180
32	BRACKET - MTG. SEQUENCER		5704-459	5704-459	5704-459	5704-459
33	CIRCUIT BREAKER MTG. ASSM.		5700-267	5700-267	5700-267	5700-267
34	BREAKER - CIRCUIT, 30 AMP		8407-13	-	8407-13	-
34	BREAKER - CIRCUIT, 60 AMP		-	8407-15	8407-15	8407-15(2)
35	CLIP		7951-219	7951-219	7951-219(2)	7951-219(2)
36	SHIELD - SAFETY		7003-1280	7003-1280	7003-1280	7003-1280
37	FILLER - CIRCUIT BREAKER		7003-1145	7003-1145	7003-1066	7003-1066
38	TERMINAL BOARD - LINE		-	-	8607-70	8607-70
39	BRACKET - TERMINAL, BOARD		5704-524	5704-524	5704-524	5704-524
40	SHIELD - TOP, WIRE		7003-1155	7003-1155	7003-1155	7003-1155
41	BOARD - TERMINAL - LO-VOLT		8607-72	8607-72	8607-72	8607-72
42	TRANSFORMER	8406-40	8406-40	8406-40	8406-40	8406-40
43	PANEL - CONTROL - ACCESS		7041-1074	7041-1074	7041-1075	7041-1075
44	BUSHING HEYCO		6081-24	6081-24	6081-24	6081-24
45	SHIELD - SAFETY		7003-1111	7003-1111	7003-1111	7003-1111

HEATER SECTION

KEY NO.	DESCRIPTION	BFE425			BGE400	BGE405
22	DUCT HEATER	7003-1047			7003-1047	7003-1047
23	PLATE - FILTER	7003-1048(1)			7003-1048(4)	7003-1048(3)
24	HEATER - 5KW	8604-128				8604-128
24	HEATER - 10KW	8604-138(2)				-
25	LIMIT CONTROL - SPDT	8403-169				8403-169
25	LIMIT CONTROL - SPDT	8403-170(2)				-
26	FUSE - THERMAL	8611-545(6)				8611-545
27	DECK - CONTROL	5361-432			5361-432	5361-432
28	RELAY - FAN	8201-183			8201-183	8201-183
29	CLAMP - WIRE (2)	8611-432				8611-432
30	LUG - GROUND	8609-43				8609-43
31	SEQUENCER (RELAY)	-				8201-179
31	SEQUENCER (RELAY)	8201-180(2)				-
32	BRACKET - MTG. SEQUENCER	5704-459				5704-459
33	CIRCUIT BREAKER MTG. ASSM.	5700-267				5700-267
34	BREAKER - CIRCUIT 30 AMP.	8407-13				8407-13
34	BREAKER - CIRCUIT, 60 AMP.	8407-15(2)				-
35	CLIP	7951-219(3)				7951-219
36	SHIELD - SAFETY	7003-1280				7003-1280
37	FILLER - CIRCUIT BREAKER	7003-1065				7003-1145
38	TERMINAL BOARD - LINE	8607-71				-
39	BRACKET - TERMINAL, BOARD	5704-524				5704-524
40	SHIELD - TOP, WIRE	7003-1155				7003-1155
41	BOARD - TERMINAL - LO-VOLT	8607-72				8607-72
42	TRANSFORMER	8406-40			8406-40	8406-40
43	PANEL - CONTROL - ACCESS	7041-1076				7041-1074
44	BUSHING HEYCO	6081-24				6081-24
45	SHIELD - SAFETY	7003-1111				7003-1111

HEATER SECTION

KEY NO.	DESCRIPTION	BGE410	BGE415	BGE420	BGE425	BGE430
22	DUCT HEATER	7003-1047	7003-1047	7003-1047	7003-1047	7003-1047
23	PLATE - FILTER	7003-1048(3)	7003-1048(2)	7003-1048(2)	7003-1048(1)	7003-1048(1)
24	HEATER - 5KW	-	8604-128	-	8604-128	-
24	HEATER - 10KW	8604-138	8604-138	8604-138(2)	8604-138(2)	8604-138(3)
25	LIMIT CONTROL - SPDT	-	8403-169	-	8403-169	-
25	LIMIT CONTROL - SPDT	8403-170	8403-170	8403-170(2)	8403-170(2)	8403-170(3)
26	FUSE - THERMAL	8611-545(2)	8611-545(3)	8611-545(4)	8611-545(5)	8611-545(6)
27	DECK - CONTROL	5361-432	5361-432	5361-432	5361-432	5361-432
28	RELAY - FAN	8201-183	8201-183	8201-183	8201-186	8201-183
29	CLAMP - WIRE (2)	8611-432	8611-432	8611-432	8611-432	8611-432
30	LUG - GROUND					8609-43
31	SEQUENCER (RELAY)	-	-	8201-175	-	8201-181
31	SEQUENCER (RELAY)	8201-175	8201-175(2)	8201-180	8201-180(2)	8201-180
32	BRACKET - MTG. SEQUENCER	5704-459	5704-459	5704-459	5704-459	5704-459
33	CIRCUIT BREAKER MTG. ASSM.	5700-267	5700-267	5700-267	5700-267	5704-267
34	BREAKER - CIRCUIT 30 AMP.	-	8407-13	-	8407-13	-
34	BREAKER - CIRCUIT, 60 AMP.	8407-15	8407-15	8407-15(2)	8407-15(2)	8407-15(3)
35	CLIP	7951-219	7951-219(2)	7951-219(2)	7951-219(3)	7951-219(3)
36	SHIELD - SAFETY	7003-1280	7003-1280	7003-1280	7003-1280	7003-1280
37	FILLER - CIRCUIT BREAKER	7003-1145	7003-1066	7003-1066	7003-1065	7003-1065
38	TERMINAL BOARD - LINE	-	8607-70	8607-70	8607-71	8607-71
39	BRACKET - TERMINAL, BOARD	5704-524	5704-524	5704-524	5704-524	5704-524
40	SHIELD - TOP, WIRE	7003-1155	7003-1155	7003-1155	7003-1155	7003-1155
41	BOARD - TERMINAL - LO-VOLT	8607-72	8607-72	8607-72	8607-72	8607-72
42	TRANSFORMER	8406-40	8406-40	8406-40	8406-40	8406-1076
43	PANEL - CONTROL - ACCESS	7041-1074	7041-1075	7041-1075	7041-1076	7041-1076
44	BUSHING HEYCO	6081-24	6081-24	6081-24	6081-24	6081-24
45	SHIELD - SAFETY	7003-1111	7003-1111	7003-1111	7003-1111	7003-1111

HEATER SECTION

KEY NO.	DESCRIPTION	BKE400	BKE410	BKE415	BKE420	BKE425
22	DUCT HEATER	7003-1047	7003-1047	7003-1047	7003-1047	7003-1047
23	PLATE - FILTER	7003-1048(4)	7003-1048(3)	7003-1048(2)	7003-1048(2)	7003-1408(2)
24	HEATER - 5KW		-	8604-128	-	8604-128
24	HEATER - 10KW		8604-138	8604-138	8604-138(2)	8604-138(2)
25	LIMIT CONTROL - SPDT		-	8403-169	-	8403-169
25	LIMIT CONTROL - SPDT		8403-170	8403-170	8403-170(2)	8403-170(2)
26	FUSE - THERMAL		8611-545(2)	8611-545(3)	8611-545(4)	8611-545(5)
27	DECK - CONTROL	5361-432	5361-432	5361-432	5361-432	5361-432
28	RELAY - FAN	8201-183	8201-183	8201-183	8201-183	8201-183
29	CLAMP - WIRE (2)		8611-432	8611-432	8611-432	8611-432
30	LUG - GROUND		8609-43	8609-43	8609-43	8609-43
31	SEQUENCER (RELAY)		8201-175	8201-175(2)	8201-175	-
31	SEQUENCER (RELAY)		-	-	8201-180	8201-180(2)
32	BRACKET - MTG. SEQUENCER		5704-459	5704-459	5404-459	5704-459
33	CIRCUIT BREAKER MTG. ASSM.		5704-267	5704-267	5704-267	5704-267
34	BREAKER - CIRCUIT 30 AMP.		-	8407-13	-	8407-13
34	BREAKER - CIRCUIT, 60 AMP.		8407-15	8407-15	8407-15(2)	8407-15(2)
35	CLIP		7951-219	7951-219(2)	7951-219(2)	7951-219(3)
36	SHIELD - SAFETY		7003-1280	7003-1280	7003-1380	7003-1280
37	FILLER - CIRCUIT BREAKER		7003-1145	7003-1066	7003-1066	7003-1065
38	TERMINAL BOARD - LINE		-	8607-70	8607-70	8607-70
39	BRACKET - TERMINAL, BOARD		5704-524	5704-524	5704-524	5704-524
40	SHIELD - TOP, WIRE					
41	BOARD - TERMINAL - LO-VOLT		8607-72	8607-72	8607-72	8607-72
42	TRANSFORMER	8406-40	8406-40	8406-40	8406-40	8406-40
43	PANEL - CONTROL - ACCESS		7041-1074	7041-1075	7041-1075	7041-1076
44	BUSHING HEYCO		6081-24	6081-24	6081-24	6081-24
45	SHIELD - SAFETY		7003-1111	7003-1111	7003-1111	7003-1111

HEATER SECTION

KEY NO.	DESCRIPTION	BKE430	BKE435			
22	DUCT HEATER	7003-1047	7003-1047			
23	PLATE - FILTER	7003-1048	-			
24	HEATER - 5KW	-	8604-128			
24	HEATER - 10KW	8604-138(3)	8604-138(3)			
25	LIMIT CONTROL - SPDT	-	8403-169			
25	LIMIT CONTROL - SPDT	8403-170(3)	8403-170(3)			
26	FUSE - THERMAL	8611-545(6)	8611-545(7)			
27	DECK - CONTROL	5361-432	5361-432			
28	RELAY - FAN	8201-183	8201-183			
29	CLAMP - WIRE (2)	8611-432	8611-432			
30	LUG - GROUND	8609-43	8609-43			
31	SEQUENCER (RELAY)	8201-181	8201-181(2)			
31	SEQUENCER (RELAY)	8201-180	-			
32	BRACKET - MTG. SEQUENCER	5704-459	5704-459			
33	CIRCUIT BREAKER MTG. ASSM.	5700-267	5700-267			
34	BREAKER - CIRCUIT 30 AMP.	-	8407-13			
34	BREAKER - CIRCUIT, 60 AMP.	8407-15(3)	8407-15(3)			
35	CLIP	7951-219(3)	7951-219(4)			
36	SHIELD - SAFETY	7003-1280	7003-1280			
37	FILLER - CIRCUIT BREAKER	7003-1065	-			
38	TERMINAL BOARD - LINE	8607-71	8607-71			
39	BRACKET - TERMINAL, BOARD	5704-524	5704-524			
40	SHIELD - TOP, WIRE					
41	BOARD - TERMINAL - LO-VOLT	8607-72	8607-72			
42	TRANSFORMER	8406-40	8406-40			
43	PANEL - CONTROL - ACCESS	7041-1076	7041-1077			
44	BUSHING HEYCO	6081-24	6081-24			
45	SHIELD - SAFETY	7003-1111	7003-1111			