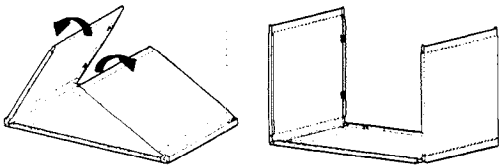


THROUGH - THE - WALL AIR CONDITIONER SLEEVE INSTALLATION INSTRUCTIONS

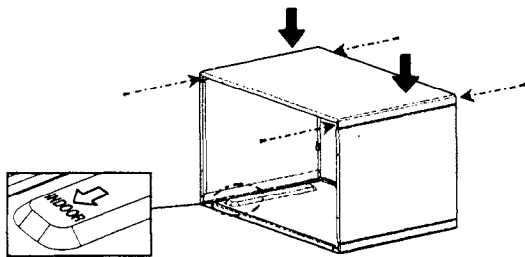
How to assemble the folding sleeve

ASSEMBLE THE WALL SLEEVE

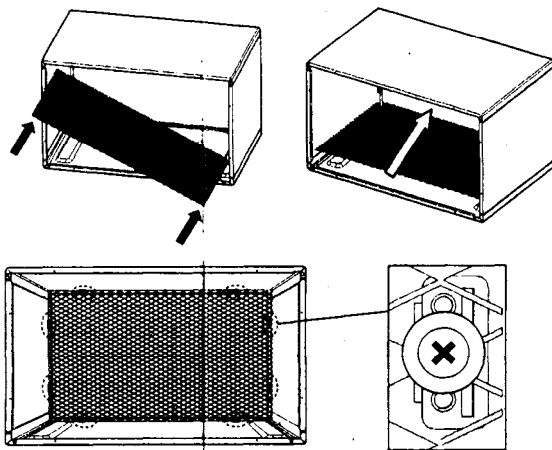
- Raise the sleeve side panels to upright position as shown below.



- Place sleeve upper on top of side panels.
- Fasten the four screws as shown below.

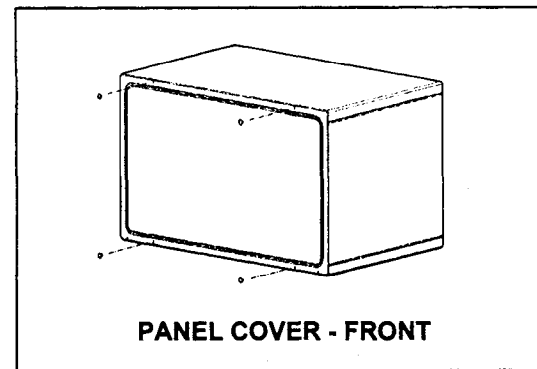
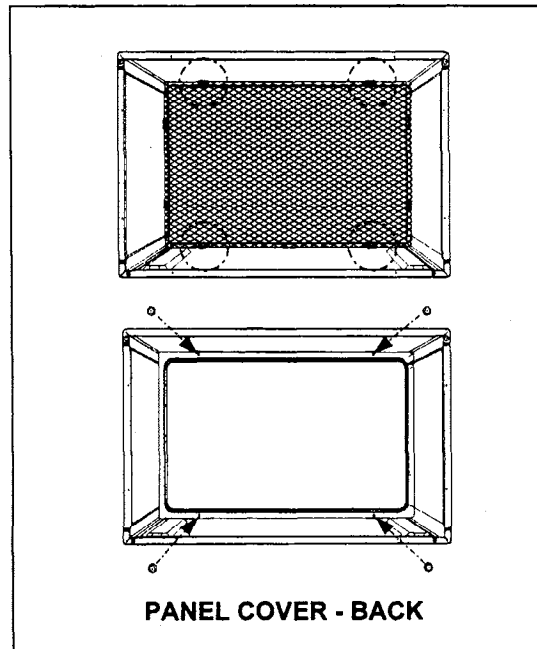


- Insert the rear grille and fasten the 8 washer screws as shown below.



INSTALL THE COVER PANEL

- To install cover panel to back of sleeve, first remove air conditioner from sleeve.
- Remove the 2 sleeve upper and 2 sleeve lower washer screws holding the rear grille in place as shown below.
- From the inside of the sleeve, insert cover panel against rear grille.
- Re-insert the sleeve upper and sleeve lower screws through panel and grille and tighten in place.
- Re-insert air conditioner into sleeve.
- If desired, use the other panel to cover the front of the sleeve. Fasten with 4 washer screws.



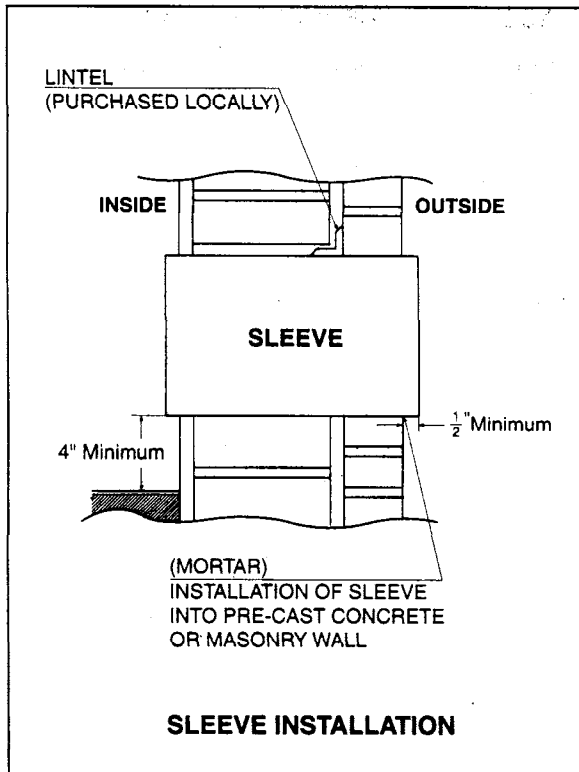
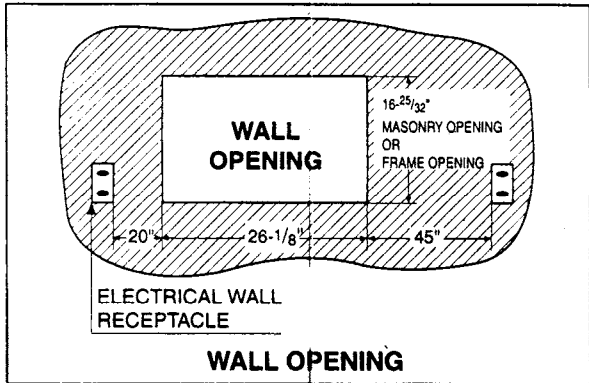
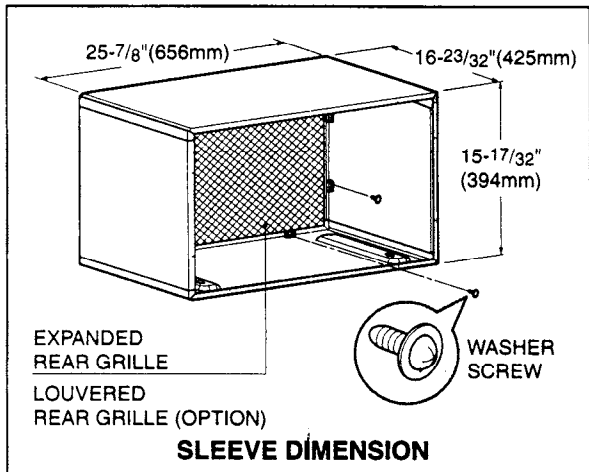
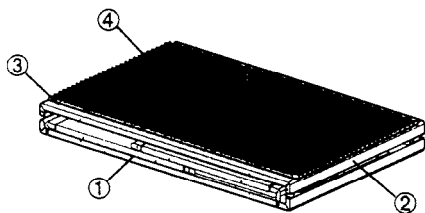
THROUGH - THE - WALL AIR CONDITIONER SLEEVE INSTALLATION INSTRUCTIONS

How to assemble the folding sleeve

- TTW Sleeve with Expanded Grille: AXSVB1
- TTW Sleeve with Louvered Grille : AXSVB2

SLEEVE HARDWARE

ITEM	DESCRIPTION	Q'TY
①	SLEEVE LOWER	1
②	SLEEVE UPPER	1
③	COVER PANEL	2
④	REAR GRILLE	1
⑤	WASHER SCREW	12
⑥	SCREW	4



INSTALL THE UNIT

- Remove the old air conditioner from the existing wall sleeve and remove the existing wall sleeve.
- Prepare and install the new wall sleeve into the wall opening.
- The wall sleeve must be fastened in the wall securely before installing the new air conditioner.
- Keep the cover panels for later use to protect the unit from rainy or windy weather.
- Receptacle should be installed within 20" of left side or 45" of right side of wall opening.
- To avoid distortion to plastic air conditioner front, install sleeve 4" minimum distance from heating source. (e.g. Baseboard heating, radiator, etc.)
- After sleeve has been installed, caulk where necessary entire perimeter around exterior wall opening and sleeve. Use a good grade of caulking compound to seal all cracks against air and water infiltration.
- Do not remove front or back cover until all masonry is set and window frame is in place. this will prevent buckling of the during subsequent construction operations. the rear grille and washer screws should be kept well until the air conditioner is installed.