

**12 SEER
CENTRAL AIR CONDITIONING
1.5 - 5 TON**



QUALITY FEATURES

- Efficient scroll compressors
- Full metal louvered coil protection
- Quiet, top air discharge
- Galvanized steel cabinet with corrosion resistant powder painted finish
- ARI matched evaporator coils feature corrosion and temperature resistant nylon drain pans
- Formed base with 2-1/2" clearance and drain holes
- Large factory installed filter drier
- High efficient long life copper coils with lanced aluminum fins
- Service valves and electrical box located for easy access and service
- Rounded corners for safety and a clean appearance
- Brass sweat connect service valves

OUTSTANDING WARRANTY COVERAGE

12 Years on Compressor, 6 Years on Parts
(for HCI ARI-matched system only, see warranty for limitations and details)

Comfort-Cure®

CONDENSING UNIT SPECIFICATIONS

MODEL		ELECTRICAL (60Hz.)	OPERATING CURRENT AMPS (1)	MAX. FUSE OR BREAKER (2)	MIN. WIRE AMPACITY	COMPRESSOR RLA/LRA	COND. MTR HP/RPM	AMPS	R-22 OZ.	LINE SIZE
RSD	1218-1Z	208/230/1	8.8	15	10.5	7.8/47	1/6-1075	1.0	65	3/8"-3/4"
RSD	1224-1Z	208/230/1	10.6	20	15.2	9.6/56	1/6-1075	1.0	60	3/8"-3/4"
RSD	1230-1Z	208/230/1	12.5	25	19.7	11.5/73	1/6-1075	1.0	78	3/8"-3/4"
RSD	1236-1Z	208/230/1	17.9	35	23.3	16.1/88	1/5-1075	1.4	109	3/8"-3/4"
RSD	1242-1Z	208/230/1	19.2	40	24.0	17/104	1/4-1075	2.2	96	3/8"-3/4"
RSD	1248-1Z	208/230/1	21.9	40	27.0	19.7/137	1/4-1075	2.2	134	3/8"-7/8"
RSD	1260-1Z	208/230/1	27.2	50	34.0	25.0/148	1/4-1075	2.2	143	3/8"-7/8"

(1) Amps at 104°F OD temp. 80°F DB/67°F WB indoor temp.

(2) Maximum size fuse or HACR type time delay circuit breaker for field wiring protection.

③ Unit precharged for 25' lineset and ARI matched A coil.

④ Requires time delay relay to obtain SEER rating.

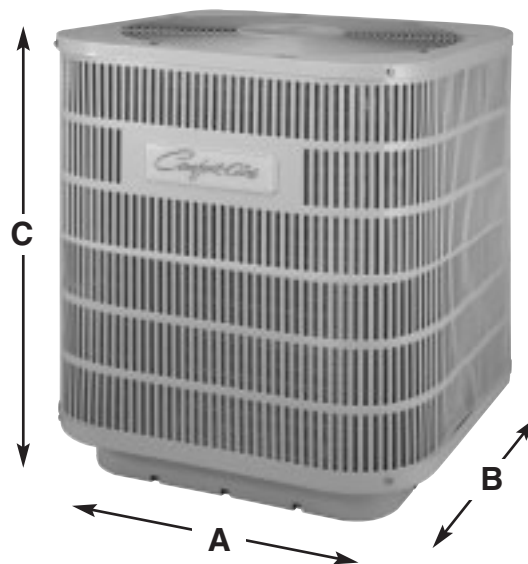
⑤ Rated in accordance with ARI 210-89 and D.O.E. Test Standards.

All wiring must conform to the National Electric Code and all local Codes.

Due to constant improvement, all specifications are subject to change without notice.

DIMENSIONS (INCHES)

TYPE	MODEL	UNIT			SHIPPING			WEIGHT SHIP/NET
		A	B	C	A	B	C	
RSD	1218	21-1/2"	21-1/2"	22-1/2"	23-1/2"	23-1/2"	23"	123/117
RSD	1224	21-1/2"	21-1/2"	26-1/2"	23-1/2"	23-1/2"	27"	123/117
RSD	1230	21-1/2"	21-1/2"	32-1/2"	23-1/2"	23-1/2"	33"	130/123
RSD	1236	21-1/2"	21-1/2"	32-1/2"	23-1/2"	23-1/2"	33"	156/148
RSD	1242	29-1/2"	29-1/2"	32-1/2"	31-1/2"	31-1/2"	33"	177/169
RSD	1248	29-1/2"	29-1/2"	32-1/2"	31-1/2"	31-1/2"	33"	198/189
RSD	1260	29-1/2"	29-1/2"	38-1/2"	31-1/2"	31-1/2"	39"	222/214



MATCHED SYSTEM PERFORMANCE

COND. UNIT	"A" COIL UNCASED	"MHC" COIL CASED	AIR* HANDLER	PISTON CHANGE REG.	SEER	CAPACITY BTUH	SEN. RATIO	REQ. CFM	LINE SET SIZE(2)
RSD1218	CSA2463D			0.053	12.0	19,000	0.71	600	1206-S-XX
		MHC3063		0.053	12.0	19,000			3/8" X 3/4"
			HAH24A00-1	0.053	12.0	19,000			
RSD1224	CSA3068D			0.059	12.0	23,000	0.71	800	1206-S-XX
		MHC3671		0.061	12.0	21,800			3/8" X 3/4"
			HAH24A00-1	0.061	12.0	21,800			
RSD1230	CSA3672D			0.070	12.0	30,000	0.72	1000	1206-S-XX
		MHC3671		0.068	12.0	29,600			3/8" X 3/4"
			HAH30A00-1	0.068	12.0	29,600			
RSD1236	CSA4278C			0.074	12.0	35,400	0.73	1150	1206-S-XX
		MHC3671		0.073	12.0	34,800			3/8" X 3/4"
			HAH36A00-1	0.073	12.0	34,800			
RSD1242	CSA4282D			0.082	12.0	42,000	0.73	1350	1206-S-XX
		MHC4882		0.080	12.0	42,000			3/8" X 3/4"
			HAH42A00-1	0.080	12.0	42,000			
RSD1248	CSA4890D			N/A	12.0	47,500	0.73	1550	1406-S-XX
		MHC4882		0.086	12.0	47,000			3/8" X 7/8"
			HAH48A00-1	0.086	12.0	47,000			
RSD1260	CSA61E8C			N/A	12.0	56,500	0.71	1850	1406-S-XX
		MHC6090(+)		7606-203	12.0	54,500			3/8" X 7/8"
			HAH60A00-1	0.096	12.0	55,500			

XX-Length of line set available 25 or 50 ft.

*-Air handlers have evaporator and horizontal drain pan installed (230v.)

All systems precharged for 25 ft line set.

(+) With addition of field installed txv.

EXTENDED RANGE DATA

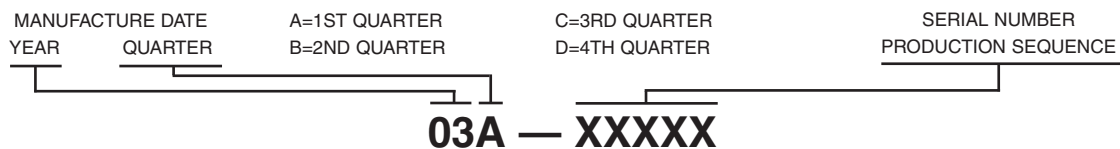
Matched System		ARI Certified Ratings (4)			Cooling Data at Extended Outdoor Temperatures							
Unit Model	Coil Model	BTUH	SEER	CFM	80°F	85°F	90°F	95°F	100°F	105°F	110°F	115°F
RSD1218	CSA2463D	19,000	12.00	600	20,500	20,200	19,600	19,000	18,500	18,000	17,400	16,900
RSD1224	CSA3068D	23,000	12.00	800	25,400	24,600	23,800	23,000	22,000	20,900	19,900	18,800
RSD1230	CSA3672D	30,000	12.00	1000	32,100	31,200	30,400	29,500	28,400	27,400	26,300	25,200
RSD1236	CSA4278C	35,400	12.00	1150	36,700	36,300	35,900	35,500	34,100	32,600	31,200	29,700
RSD1242	CSA4282D	42,000	12.00	1350	43,300	42,900	42,400	42,000	41,000	40,000	39,000	38,000
RSD1248	CSA4890D	46,000	12.00	1550	50,800	49,800	48,900	48,000	47,100	46,300	45,400	44,500
RSD1260	CSA61E8C	56,500	12.00	1850	60,100	58,900	57,700	56,500	55,300	54,100	52,900	51,800

(4) Requires time delay to obtain SEER rating.

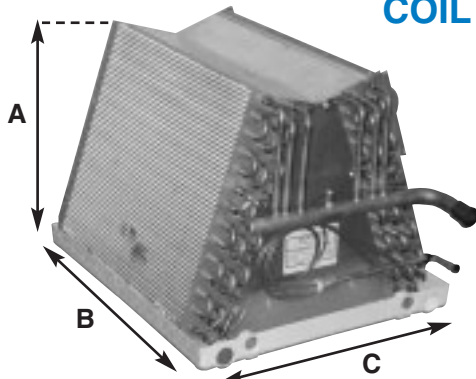
MODEL NUMBER IDENTIFICATION GUIDE



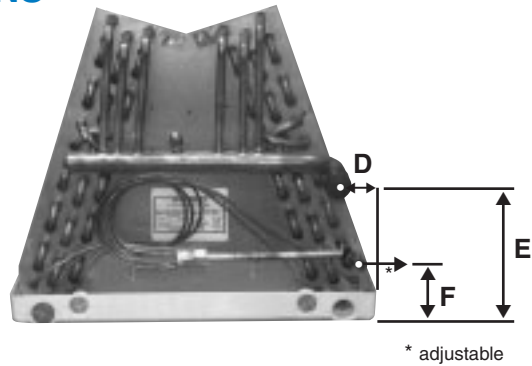
SERIAL NUMBER IDENTIFICATION GUIDE



COIL DIMENSIONS



**CSA/CQA
WITH NYLON DRAIN PAN**



* adjustable

A-COIL DIMENSIONS (INCHES)

TYPE	A-COIL	A	B	C	D	E	F	COIL CABINETS	
								UPFLOW	DOWNFLOW
CSA	2463D	12-1/2"	19-1/2"	16-1/2"	1-1/2"	13-5/8"	9-1/4"	UCC-17A	DCC-21A
CSA	3068D	14-1/2"	19-1/2"	16-1/2"	1-1/2"	13-5/8"	9-1/4"	UCC-17A	DCC-21A
CSA	3672D	14-1/2"	19-1/2"	16-1/2"	1-1/2"	13-5/8"	9-1/4"	UCC-17A	DCC-21A
CSA	4278C	17-5/8"	19-1/2"	20"	1-1/2"	13-5/8"	9-1/4"	UCC-21	DCC-21A
CSA	4282D	21-1/2"	19-1/2"	20"	1-1/2"	13-5/8"	9-1/4"	UCC-21	DCC-21A
CSA	4890D	22"	19-1/2"	20"	1-1/2"	13-5/8"	9-1/4"	UCC-24	DCC-24A
CSA	61E8C	22"	23"	21"	1-1/2"	13-5/8"	9-1/4"	UCC-24	DCC-24A

Drain fittings (FPT) Primary - 3/4" Secondary - 1/2"

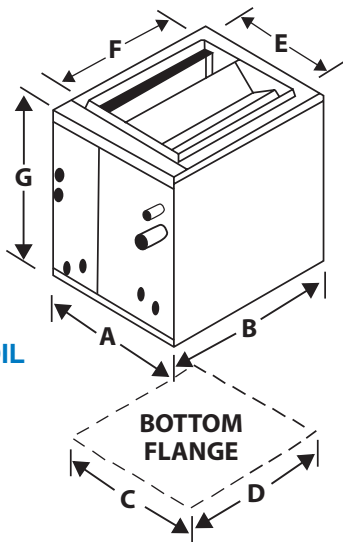
ACCESSORIES

7800-200	Deluxe Digital Heat Cool Thermostat
7603-619	Electrical Whip
7603-618	Fused Disconnect
7600-333	Fan Center
7603-540E	Adapt-A-Ease Kit

CONDENSER COVERS & PADS

MODEL RSC	CONDENSER PAD	CONDENSER COVER
1218	7603-616	7603-650
1224	7603-616	7603-650
1230	7603-616	7603-651
1236	7603-616	7603-652
1242	7603-654	7603-655
1248	7603-654	7603-653
1260	7603-654	7603-656

HMC COIL



MULTI-POSITION COILS (HORIZONTAL/VERTICAL/DOWNFLOW) (INCHES)

TYPE	SIZE	A	B	C	D	E	F	G	FIT FURNACE WIDTH
MHC	3063	17-1/2"	21"	16-1/4"	20-1/4"	15-3/4"	19-1/4"	20"	17-1/2"
MHC	3671	17-1/2"	21"	16-1/4"	20-1/4"	15-3/4"	19-1/4"	20"	17-1/2"
MHC	4882	21"	21"	19-3/4"	20-1/4"	19-1/4"	19-1/4"	20"	21.0"
MHC	6090	24-1/2"	21"	23-1/4"	20-1/4"	22-3/4"	19-1/4"	28"	24-1/2"

Drain fittings (FPT) Primary - 3/4" Secondary - 1/2"
Painted cabinet. Can be used upflow, horizontal left or right.
Downflow application may require use of a filler plate.

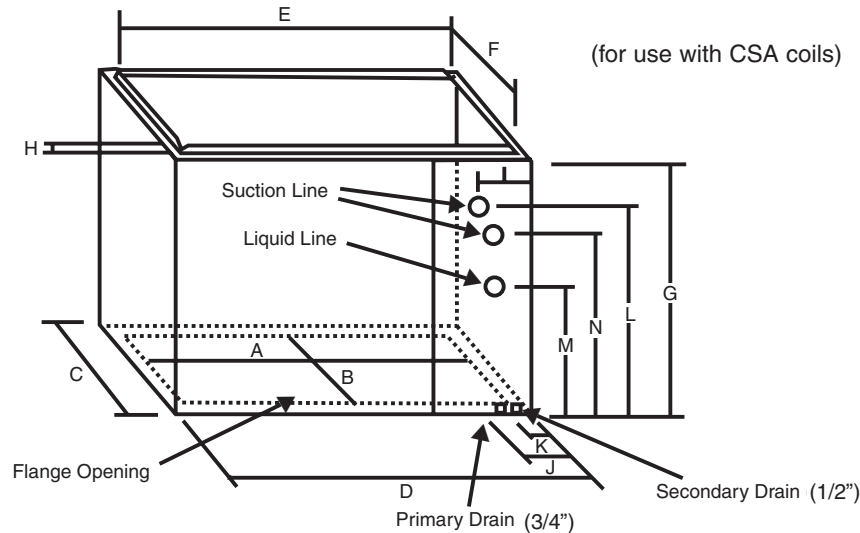
NOTE: See coil cabinet application charts page 5.

COIL CABINET DIMENSIONS

DIM.	Upflow			Downflow	
	UCC-17A	UCC-21	UCC-24	DCC-21A	DCC-24A
A	16-1/2"	20"	23-1/4"	—	—
B	20-1/2"	20-1/2"	21-1/4"	—	—
C	21"	21"	22"	22"	24-1/2"
D	17-1/2"	21"	24-1/2"	21"	24-1/2"
E	16"	19-1/2"	23"	—	—
F	19-1/2"	19-1/2"	20-1/2"	—	—
G	19-1/4"	19-1/4"	24"	21"	24"
H	1/2"	1/2"	1/2"	—	—
I	3-3/8"	3-3/8"	3-3/8"	5-1/4"	5-1/4"
J	3-3/4"	3-3/4"	3-3/4"	6-1/8"	6-1/8"
K	2"	2"	2"	4-7/8"	4-7/8"
L	14-5/8"	14-5/8"	14-5/8"	14-5/8"	14-5/8"
M	9"	9"	9"	9"	9"
N	8-1/2"	—	11-3/4"	11-3/4"	11-3/4"

NOTE: Dimensions subject to change without notice.

COIL CABINET - UPFLOW & DOWNFLOW



COIL CABINET APPLICATION DATA

MODEL	ACCEPTS COIL MODEL	FURNACE WIDTH
UCC-17A	24, 36, 40	14" & 17-1/2"
UCC-21	42, 48	20", 21" 22"
DCC-21A	24, 36, 40, 42, 48	14", 17-1-2", 20", 21"
DCC-24A	42, 48	21", 24-1/2"

COIL CABINET ADAPTER KITS

KIT NUMBER	ADAPTS CABINET MODEL	TO FURNACE WIDTH
7603-703	UCC-17A	21"
7603-704	UCC-17A	24-1/2"
7603-705	UCC-21	24-1/2"

NOTE: Adapts coil cabinet to wider furnace.

General Terms of Limited Warranty*

5 Years on all Parts
10 Years on Compressor

*For specific details including applicable terms and conditions, consult your Local Installer or Contact the Factory.

Specifications and performance data subject to change without notice.



HEAT CONTROLLER, INC.

1900 WELLWORTH AVENUE • JACKSON, MICHIGAN 49203

THE QUALITY LEADER IN CONDITIONING AIR

visit us at www.heatcontroller.com