

# HEAT CONTROLLER

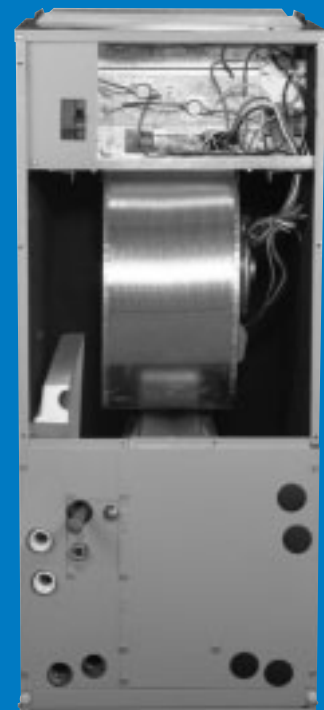
**HAH AIR HANDLER/ELECTRIC FURNACE  
HFC FAN COILS**

**208/240V (0-20 KW)  
120 VAC**

## **MULTI-POSITION DESIGN**

**UPFLOW/HORIZONTAL LEFT,  
HORIZONTAL RIGHT OR DOWNFLOW**

- Upflow, horizontal right to left can be easily converted to horizontal left to right airflow without additional parts.
- Primary and secondary openings in drain pans for right or left connections.
- Plastic drain pans are corrosion-proof.
- High quality cabinet finish is prepainted; 22Ga galvanized steel substrate provides durability and superior metal protection.
- Blower assembly slides out for ease of maintenance.
- Standard design features include:
  - Factory installed time delay.
  - R4.2 insulation (meets Florida requirements).
  - One inch disposable filter.
- Can be installed with zero clearance to combustible materials.
- Refrigeration coil connections are swaged and factory-sealed with copper caps to maintain nitrogen holding charge.
- HAH Series - 208/240V  
HFC Series - 120V AC
- Field installed electric heat on HAH models; all models have factory-installed A-coil.
- All air handlers are ARI matched with Heat Controller condensing units.
- Field convertible to downflow with field installed kit.



## HAH ELECTRIC AIR HANDLER BLOWER PERFORMANCE

MODEL	MOTOR @ 230V 1Ph 60Hz		DD BLOWER	BLOWER	SCFM vs. ESP				
	HP	FLA	SIZE	SPEEDS	0.1	0.2	0.3	0.4	0.5
HAH24A-00-1	1/4	1.7	10x6	H	950	900	850	790	720
				M	850	800	740	680	610
				L	700	660	610	550	480
HAH30A-00-1 HAH36A-00-1	1/3	2.8	10X7	H	1250	1200	1120	1060	1000
				M	1070	1020	970	920	860
				L	900	870	840	790	720
HAH42A-00-1 HAH48A-00-1	1/3	3.1	10X8	H	1850	1700	1650	1500	1410
				M	1750	1650	1450	1330	1180
				L	1150	1060	1000	920	810
HAH60A-00-1	3/4	4.8	11X9	H	2160	2100	2000	1940	1880
				M	2110	1980	1810	1750	1650
				L	2000	1860	1670	1340	1200

## ELECTRIC AIR HANDLER SPECIFICATIONS

MODEL	ARI MATCHED COND. UNIT	REQ. (1) PISTON	SEER	NOMINAL COOLING	REQ. CFM	REF. LINE SIZES	FILTER SIZE	KW (1)	Ship Weight
HAH24A-00-1	RSC1018	N/A	10.0	17,400	600	3/8X3/4	16X20X1	0-10	95#
	RSC1218	0.053	12.0	19,000	600	3/8X3/4			
	RSC1024	N/A	10.0	22,500	800	3/8X3/4			
	RSC1224	0.061	12.0	23,000	800	3/8X3/4			
HAH30A-00-1	RSC1030	N/A	10.0	29,000	1000	3/8X3/4	16X20X1	0-15	102#
	RSC1230	0.068	12.0	29,600	1000	3/8X3/4			
HAH36A-00-1	RSC1036	N/A	10.0	34,400	1200	3/8X3/4	16X20X1	0-15	118#
	RSC1236	0.073	12.0	35,500	1150	3/8X7/8			
HAH42A-00-1	RSC1042	N/A	10.0	40,500	1300	3/8X7/8	20X25X1	0-20	129#
	RSC1242	0.08	12.0	42,000	1350	3/8X7/8			
HAH48A-00-1	RSC1048	N/A	10.0	46,000	1400	3/8X7/8	20X25X1	0-20	138#
	RSC1248	0.086	12.0	45,500	1450	3/8X7/8			
HAH60A-00-1	RSC1060	N/A	10.0	57,000	1750	3/8X7/8	20X25X1	0-20	170#
	RSC1260	0.096	12.0	56,500	1850	3/8X7/8			

(1)-Piston will be supplied with airhandler

## HFC FAN COIL BLOWER PERFORMANCE

MODEL	MOTOR @ 115V 1Ph 60Hz		DD BLOWER	BLOWER	SCFM vs. ESP				
	HP	FLA	SIZE	SPEEDS	0.1	0.2	0.3	0.4	0.5
HFC24A-0	1/4	3.2	10x6	H	850	800	760	720	680
				M	825	775	715	690	670
				L	780	715	655	630	—
HFC30A-0 HFC36A-0	1/3	6.2	10X7	H	1030	1000	950	890	850
				M	1000	960	905	865	810
				L	980	925	870	810	—
HFC42A-0 HFC48A-0	3/4	9.5	11X9	H	1880	1775	1680	1600	1490
				M	1800	1650	1550	1450	1300
				L	1710	1530	1360	1270	—
HFC60A-0	3/4	9.7	11X11	H	1950	1900	1845	1770	1720
				M	1820	1750	1620	1470	1440
				L	1750	1640	1390	1270	—

Based on unit with nominal tonnage dry coil and filter installed.  
Use 0.96 as approximate SCFM correction factor for wet coil.

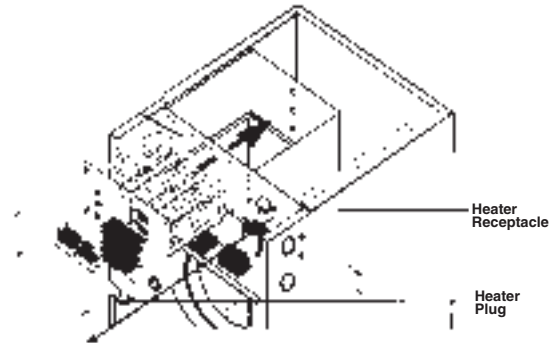
## ELECTRIC HEATER KIT SPECIFICATIONS

MODEL	USED WITH	KW@		MINIMUM CIRCUIT AMPACITY		MAX. FUSE or BREAKER (HACR)	
		240V	208V	240V	208V	240V	208V
N/A	w/o Heat	0	0	2.1	1.9	15	15
7800-305B	HAH24A	5	3.8	29	25	30	25
7800-306B		8	6	44	39	45	40
7800-308B		10	7.5	55	48	60	50
N/A	w/o Heat	0	0	3.5	3.4	15	15
7800-305B	HAH30A HAH36A	5	3.8	30	27	30	30
7800-306B		8	6	46	40	50	40
7800-308B		10	7.5	56	49	60	50
7800-312B		15	11.3	56/26	49/23	60/30	50/30
N/A	w/o Heat	0	0	4	3.9	15	15
7800-313B	HAH42A HAH48A	5	3.8	30	27	30	25
7800-314B		8	6	46	41	50	45
7800-315B		10	7.5	57	50	60	50
7800-316B		15	11.3	53/30	46/27	60/30	50/30
7800-317B		20	15	57/53	50/46	60/60	50/50
N/A	w/o Heat	0	0	6	5.9	15	15
7800-313B	HAH60A	5	3.8	32	29	35	30
7800-314B		8	6	48	42	50	45
7800-315B		10	7.5	59	52	60	60
7800-316B		15	11.5	53/32	46/29	60/35	50/30
7800-317B		20	15	59/53	52/46	60/60	60/50
7800-400	4-Pole Jumper Bar Assembly 15 & 20 KW only						

All field installed electric heater assemblies have breakers.  
Breaker is standard and required on 15 and 20 KW models.  
BTUH available=( kW x 3412)

## DOWNFLOW CONVERSION KIT

MODEL	KIT NO.
HAH30	7606-106
HAH24, HAH36	7606-107
HAH42, HAH48	7606-108
HAH60	7606-109



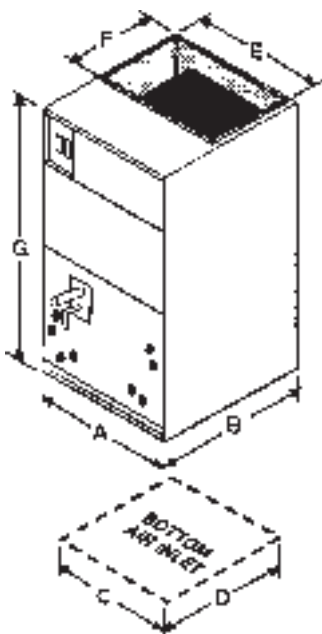
HAH AIR HANDLER DEPICTED WITH OPTIONAL ELECTRIC HEAT INSTALLED.

## FAN COIL SPECIFICATIONS (120V.)

MODEL	ARI MATCHED COND. UNIT	REQ. (1) PISTON	SEER	NOMINAL COOLING	REQ. CFM	REF. LINE SIZES	FILTER SIZE	SHIP WEIGHT
HFC24A-0	RSC1018	N/A	10.0	17400	600	3/8X3/4	16X20X1	123#
	RSC1218	0.053	12.0			3/8X3/4		
	RSC1024	N/A	10.0	22500	800	3/8X3/4		
	RSC1224	0.061	12.0			3/8X3/4		
HFC30A-0	RSC1030	N/A	10.0	29000	1000	3/8X3/4	16X20X1	126#
	RSC1230	0.068	12.0			3/8X3/4		
HFC36A-0	RSC1036	N/A	10.0	34400	1200	3/8X3/4	16X20X1	132#
	RSC1236	0.073	12.0			3/8X7/8		
HFC42A-0	RSC1042	N/A	10.0	40500	1300	3/8X7/8	20X25X1	155#
	RSC1242	0.08	12.0			3/8X7/8		
HFC48A-0	RSC1048	N/A	10.0	46000	1400	3/8X7/8	20X25X1	156#
	RSC1248	0.086	12.0			3/8X7/8		
HFC60A-0	RSC1060	N/A	10.0	57000	1750	3/8X7/8	20X25X1	163#
	RSC1260	0.096	12.0			3/8X7/8		

## PHYSICAL DIMENSIONS ELECTRIC AIR HANDLERS (INCHES)

MODELS	A	B	C	D	E	F	G
HAH24A00-1	17-1/2	21	15	17-1/2	16	12-5/8	39-3/4
HAH30A00-1	17-1/2	21	15	17-1/2	16	12-5/8	39-3/4
HAH36A00-1	17-1/2	21	15	17-1/2	16	12-5/8	39-3/4
HAH42A00-1	21-1/2	25	19-1/4	22-1/4	19-5/8	17-1/4	49-3/4
HAH43A00-1	21-1/2	25	19-1/4	22-1/4	19-5/8	17-1/4	49-3/4
HAH48A00-1	21-1/2	25	19-1/4	22-1/4	19-5/8	17-1/4	49-3/4
HAH49A00-1	21-1/2	25	19-1/4	22-1/4	19-5/8	17-1/4	49-3/4
HAH60A-00-1	21-1/2	25	19-1/4	22-1/4	19-5/8	17-1/4	49-3/4
<b>FAN COILS</b>							
HFC24A-0	17-1/2	21	15	17-1/2	16	12-5/8	39-3/4
HFC30A-0	17-1/2	21	15	17-1/2	16	12-5/8	39-3/4
HFC36A-0	17-1/2	21	15	17-1/2	16	12-5/8	39-3/4
HFC42A-0	21-1/2	25	19-1/4	22-1/4	19-5/8	17-1/4	49-3/4
HFC48A-0	21-1/2	25	19-1/4	22-1/4	19-5/8	17-1/4	49-3/4
HFC60A-0	21-1/2	25	19-1/4	22-1/4	19-5/8	17-1/4	49-3/4



HAH and HFC Dimensions



Specifications and performance data subject to change without notice.

**HEAT CONTROLLER, INC.**

1900 WELLWORTH AVENUE • JACKSON, MICHIGAN 49203

THE QUALITY LEADER IN CONDITIONING AIR

visit us at [www.heatcontroller.com](http://www.heatcontroller.com)