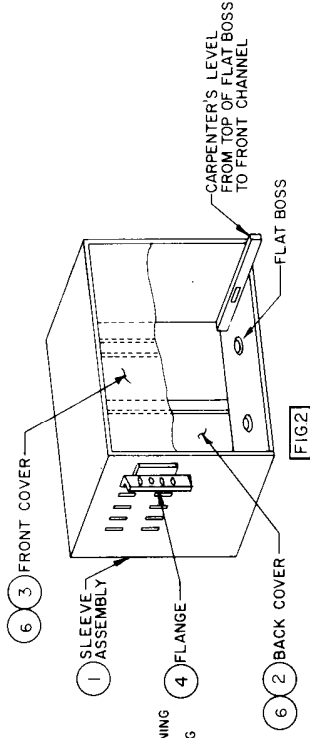


NOTES:

1. RECEPTACLE SHOULD BE INSTALLED WITHIN 1'-0" OF LEFT SIDE OF WALL OPENING. (SEE FIG. 1)
2. SLEEVE SHIPPED COMPLETE WITH INSIDE AND OUTSIDE COVERS.
3. SLEEVE INSTALLATION INSTRUCTION AFFIXED TO ROOMSIDE FRONT COVER.



SLEEVE INSTALLATION

NOTES:

1. LOCATE SLEEVE IN MASONRY IN ACCORDANCE WITH BUILDING PLANS. BOTTOM OF SLEEVE MUST CLEAR ROUGH FLOOR LINE MINIMUM 2". (SEE NOTE 5A.)
2. FOR WALLS 14" THICK OR LESS, TOTAL THICKNESS, SET SLEEVE INTO MASONRY SO THAT REAR BOTTOM EDGE EXTENDS BEYOND EXTERIOR BUILDING LINE, APPROXIMATELY 1/2" AS SHOWN ON FIG. 4.
3. FOR WALLS OVER 14" TOTAL THICKNESS, RECESS SLEEVE AS SHOWN ON FIG. 5. RECESS SLEEVE ON ROOMSIDE, FRAME WITH MOLDING. THE 1/2" OUTSIDE PROJECTION SHOWN MUST BE MAINTAINED FOR PROPER DRAINAGE.

4. AS MASONRY WORK PROGRESSES, THE SIDE FLANGES SHOULD BE PLUMB AND SHOULD BE JUST INSIDE AND AGAINST THE CEMENT BLOCKS. SLEEVE MUST BE LEVEL, RIGHT TO LEFT AND FRONT TO REAR. USE CARPENTER'S LEVEL AS SHOWN IN (FIG. 2).

4A = SLEEVE FLANGES CAN BE RELOCATED IN ACCORDANCE WITH BUILDER'S SPECIFICATION AND WALL THICKNESS.

5. FOR CAVITY WALL CONSTRUCTION, THE EXTERIOR SURFACE OF THE SLEEVE WITHIN THE WALL SHOULD BE HEAVILY COATED WITH BLACK ASPHALTUM PAINT IN ORDER TO PROTECT SLEEVE AGAINST HUMIDITY FROM THE WALL CAVITY. 5A = TO AVOID DISTORTION TO PLASTIC AIR CONDITIONER FRONT, INSTALL SLEEVE 4" MIN. DISTANCE FROM HEATING SOURCE (e.g. BASEBOARD HEATER, RADIATOR, etc.)

6. IF SLEEVE IS LOCATED OTHER THAN UNDER A WINDOW, PROVIDE A SUITABLE LINTEL PER ARCHITECT'S INSTRUCTIONS TO SUPPORT THE WALL LOAD ABOVE THE SLEEVE. (SEE FIG. 5)

6A = SLEEVE HAS BEEN TESTED BY U. S. TESTING COMPANY TO WITHSTAND A UNIFORM LOAD OF 450 POUNDS WITHOUT DAMAGE.

7. DO NOT REMOVE FRONT COVER OR REAR COVER UNTIL ALL MASONRY IS SET AND WINDOW FRAME IS IN PLACE. THIS WILL PREVENT BUCKLING OF THE UPPER AND LOWER SURFACES OF THE SLEEVE DURING SUBSEQUENT CONSTRUCTION OPERATIONS.

SEE FIG. 6 & 7 FOR OTHER TYPES OF INSTALLATIONS.

9. ON THIN WALL CONSTRUCTION IF ANY SLOTS (FLANGE MOUNTING) PROTRUDE OUTSIDE OF THE EXTERIOR WALL, THEY SHOULD BE TAPED ON THE INSIDE WITH DUCT TAPE TO PREVENT ENTRANCE OF RAIN.

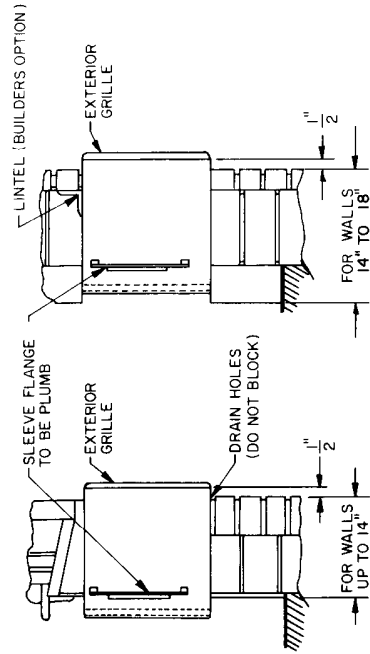


FIG. 4
INSTALLATION OF SLEEVE FOR WALLS UP TO 14" THICK AND UNDER.

FIG. 5
INSTALLATION OF SLEEVE FOR WALLS OVER 14" THICK

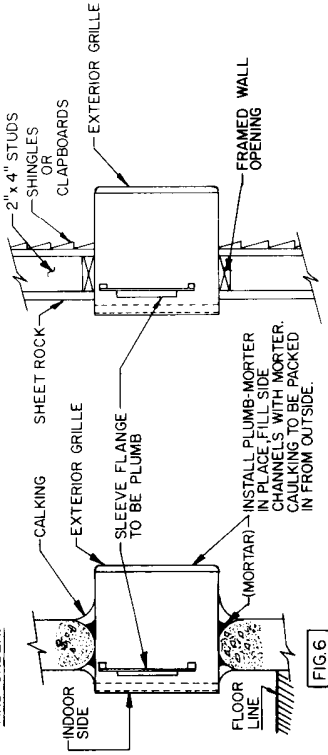


FIG. 6

INSTALLATION OF SLEEVE INTO PRE-CAST CONCRETE

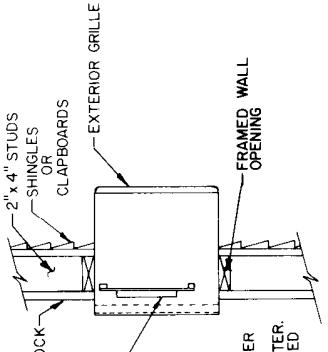


FIG. 7
INSTALLATION OF SLEEVE IN FRAME STRUCTURE

MATERIAL LIST		
ITEM	DESCRIPTION	QTY.
1	SLEEVE ASS'Y	1
2	COVER, SLEEVE ASS'Y — BACK	1
3	COVER, SLEEVE ASS'Y — FRONT	1
4	FLANGE, STEEL	2
5	EXT. GRILLE ASS'Y	1
6	3/8" x 1/8" LG. "B" HEX WASH. HD. S. S. SCREW	12